

Type: **NZM3-XTVDVR**
 Article No.: **260182**
 Sales text **Door coupling rotary handle red-yellow**



Complete including rotary drive and coupling parts

An additional extension shaft is necessary with the NZM...-XT(V)D(V)(R)(-60) types.

Degree of protection IP66/UL/CSA Type 4X

Ordering information		
Description		Red-yellow for Emergency-Stop
Description		Lockable on the handle on the switch using up to 3 padlocks. Lockable in 0 position on handle. With door interlock. Lockable in the 0 position
For use with		NZM3(-4), PN3(-4), N(S)3(-4)

Note concerning the product

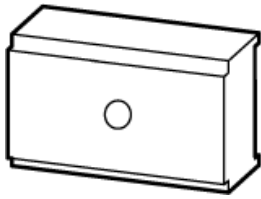
Door interlock

- Not defeatable in the locked OFF position.
- Can be modified such that it can be defeated from the outside using a screwdriver, when it is in the unlocked ON position.
- Door can be opened in OFF

NZM...-XTVDVR

- External warning plate/designation label can be clipped on

Product view

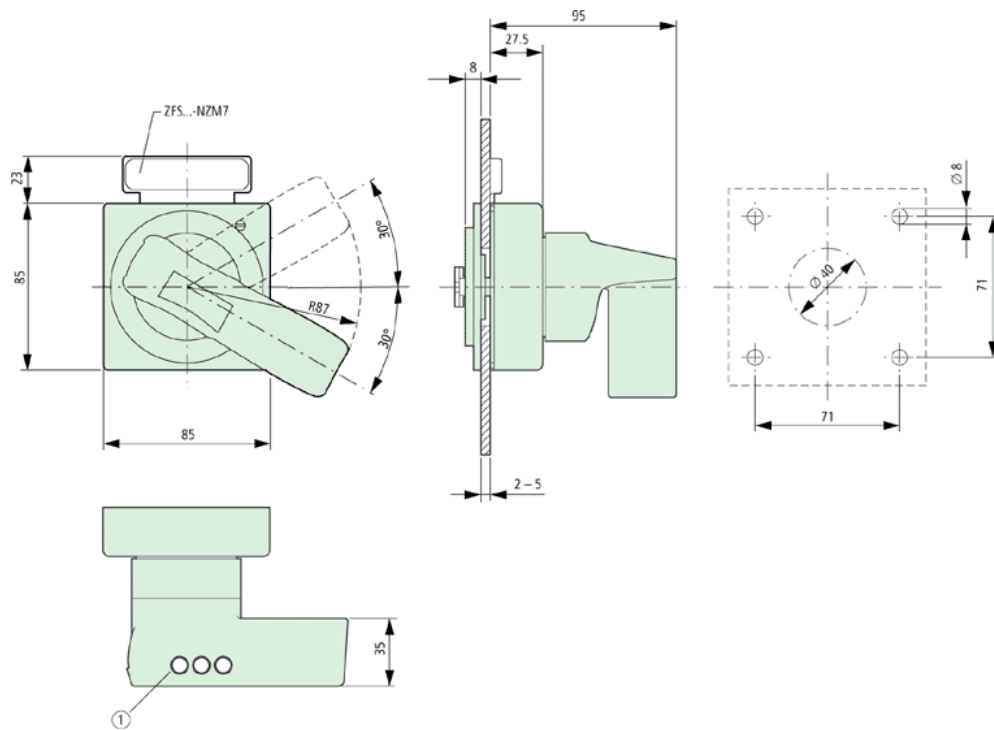


Notes concerning the product group

Circuit-breaker can also be installed in a lying position 90 ° left/right, with the handle still in the same position.

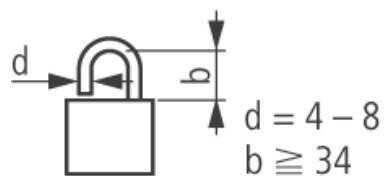
NZM3-XTVD(V)(R)(-NA)
NZM3/4-XV4(6)

Dimensions

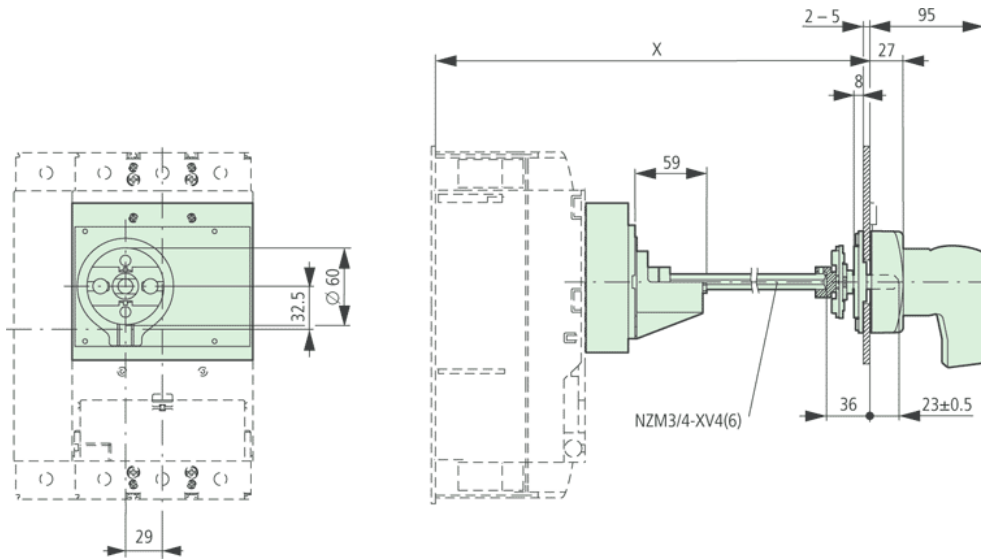


Up to 3 padlocks

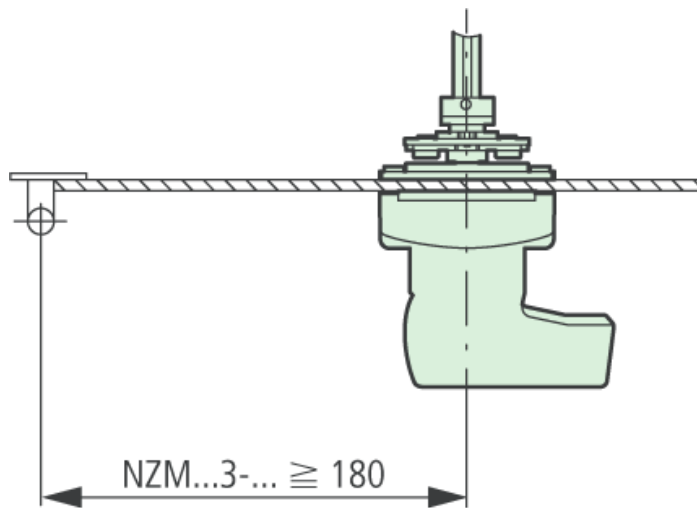
Dimensions



Dimensions



Dimensions



Minimum door coupling rotary handle clearance from door pivot point

Moeller GmbH, Hein-Moeller-Str. 7-11, D-53115 Bonn
 E-Mail: catalog@moeller.net, Internet: www.moeller.net, <http://catalog.moeller.net>
 HPL-C2007G V2.1 © 2007 by Moeller GmbH